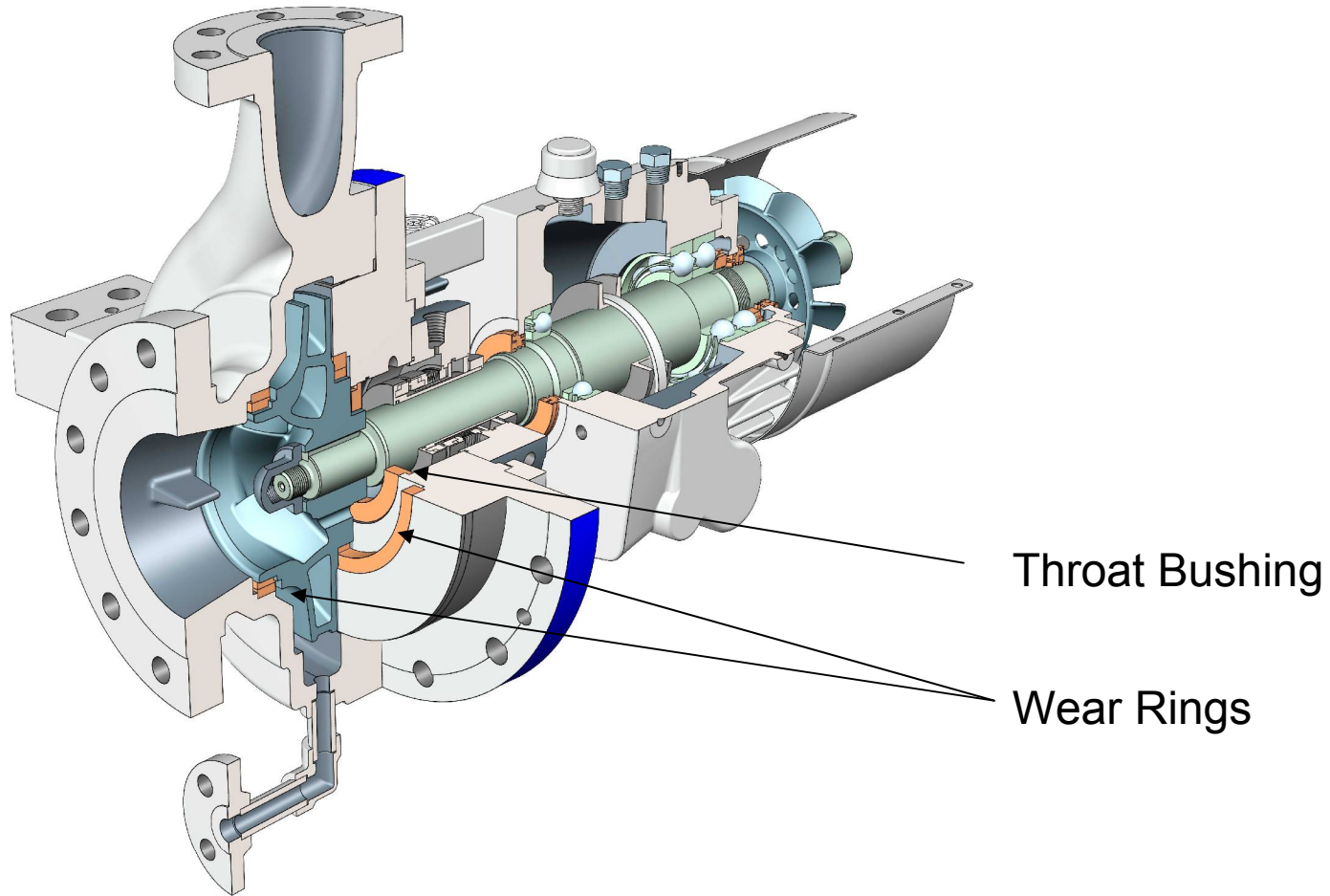


# Vespel® CR-6100

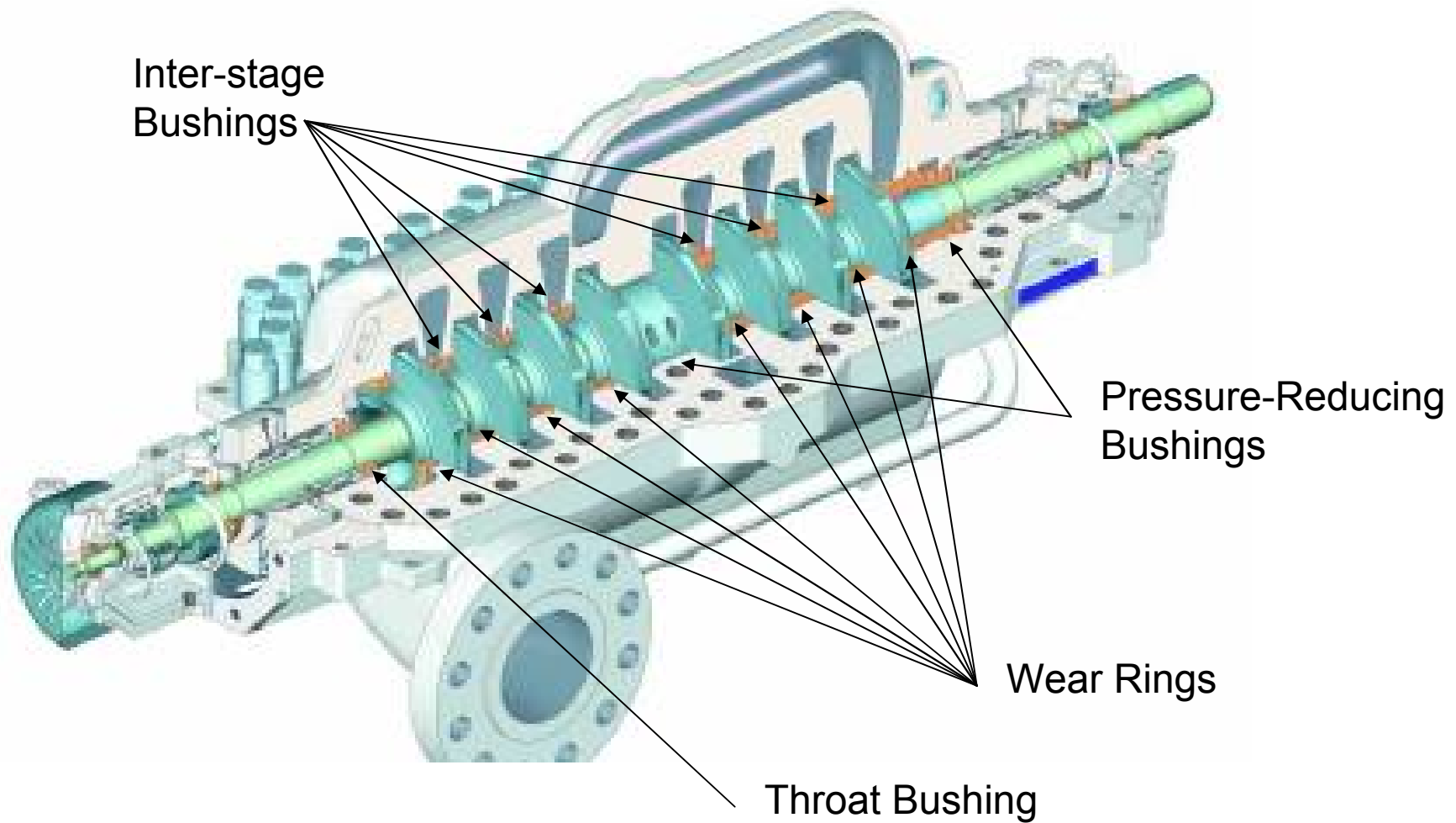
Component applications in  
common pump types

Source of drawings: [www.sulzerpump.com](http://www.sulzerpump.com)

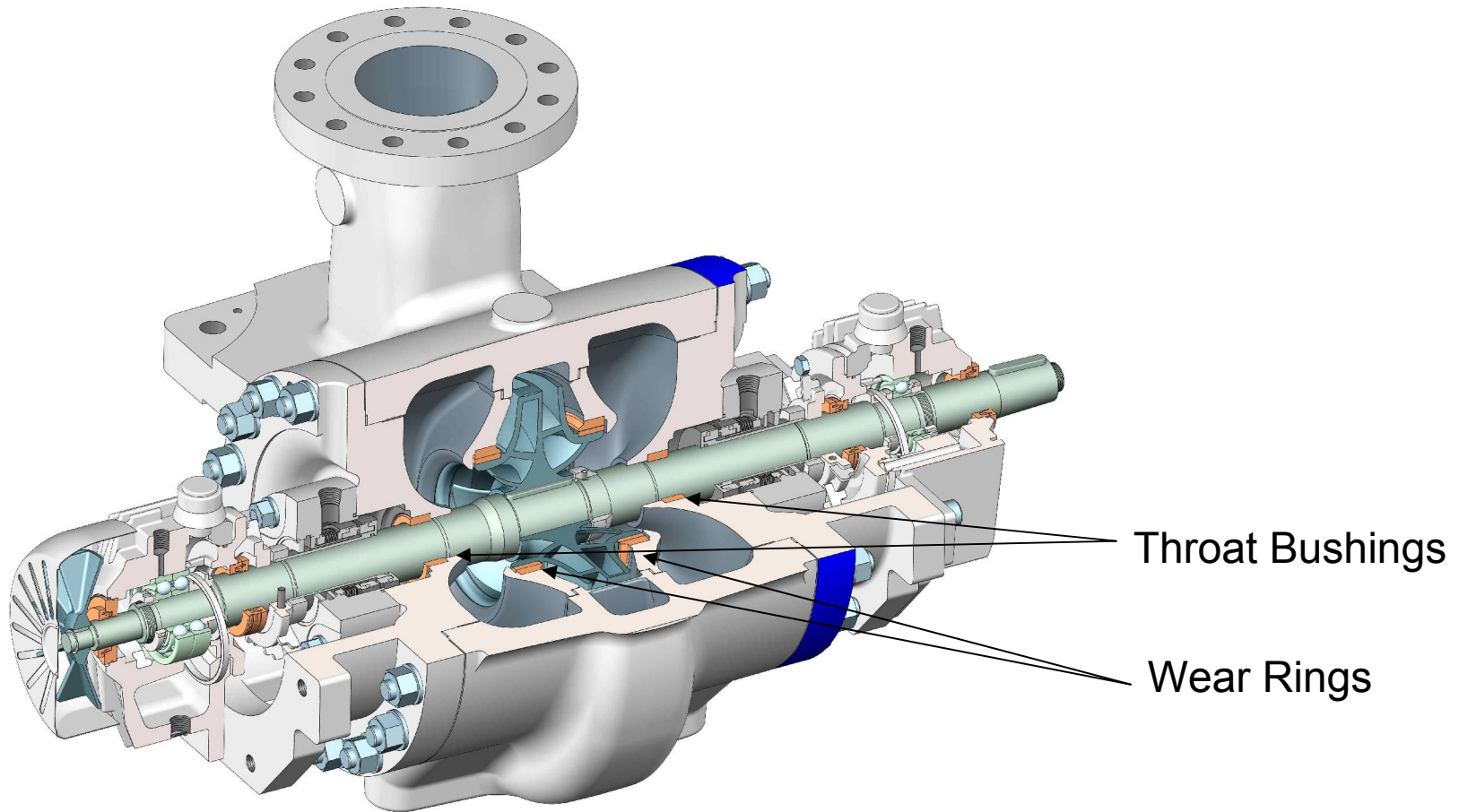
# Single-Stage, Overhung Pump



# Multi-Stage, Axially Split



# Single-Stage, Between Bearings



# Vertical Canned Pump

